

Standard Product Specifications

**Pole Shaft:**

Fabricated from domestic ASTM A500 Grade C steel tubing, minimum yield strength 50,000 psi.

**Base Plate:**

ASTM A36 structural steel with 36,000 psi minimum yield. Two piece base cover and hardware included.

**Anchor Bolts:**

(4) Galvanized steel per ASTM F1554 Grade 55 with (2) nuts and (2) washers per bolt.

**Hand Hole:**

3x5 in.(4sq+4rd+) or 2x4 (3rd) reinforced opening 12 in. above base; includes cover and stainless-steel screws.

**Finish:**

Durable powder coat with phosphate pre-treatment for corrosion resistance. Optional primer undercoat available for extended protection.

**Warranty:**

2 Year Structural Warranty  
1-Year Limited Finish Warranty Standard;  
3-Year Optional Warranty  
(Extended warranty options apply to finish only).

**Grounding:**

Grounding hole provided inside hand hole.

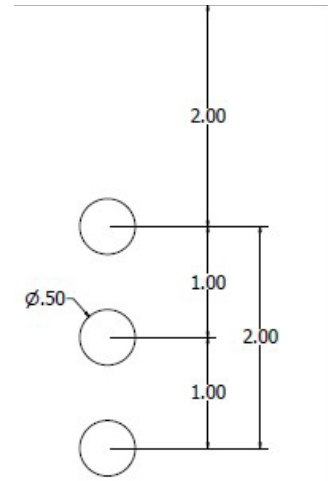
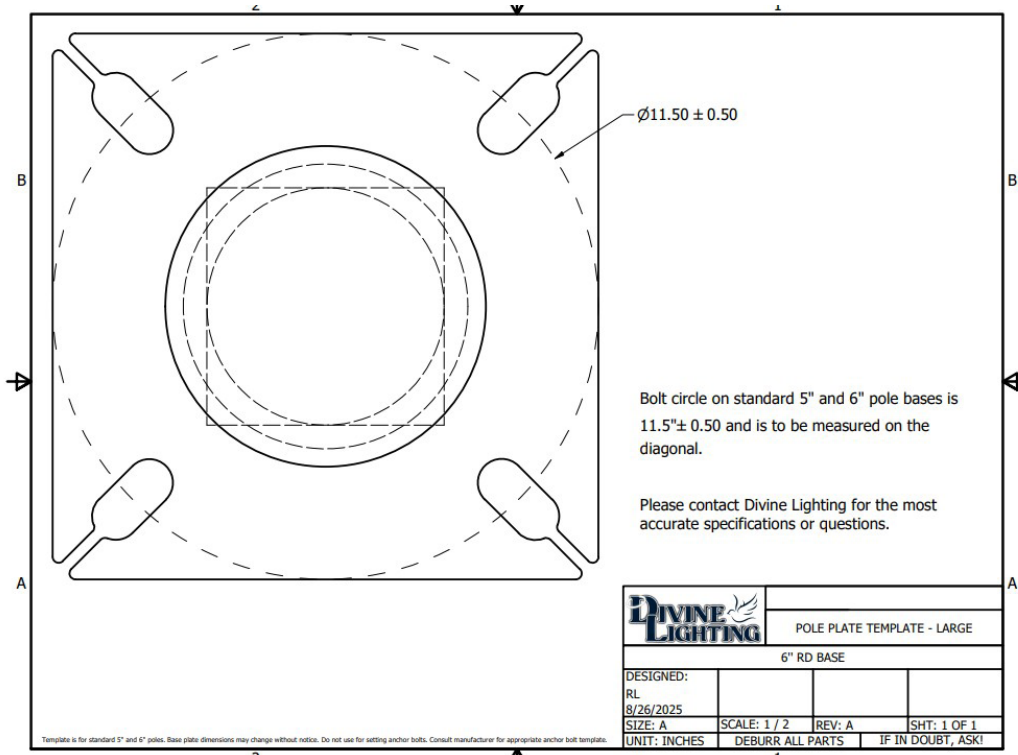


MODEL	SHAFT	SCHEDULE/GAUGE	HEIGHT	OPTIONS	PRIMER	FINISH
<b>Model</b> POLE-SSp (Round Steel Anchor Plate)	<b>Shaft</b> 6- 6" OD	<b>Schedule/Gauge</b> 7 - 7 Gauge	<b>Height</b> 8' 10' 15' 18' 20' 24' 30'	<b>Options</b> 190 - (1) 90 Degree Hole 2180 - (2) 180 Degree Holes GFCI - GFCI Receptacle GFCILOCK - GFCI Lock TENON 2 3/8 x 3 EYE - Eye Hooks	<b>Primer(Optional)</b> P - Primer Coat (Recommended for Coastal Environments)	<b>Finish</b> DB - Dark Bronze BL - Black AS - Anodized Silver WH- White CC - Custom Color

\*\*Customer is responsible for providing fully dimensioned drill patterns when using heads from other manufacturers; otherwise, the standard Divine Lighting drill pattern will be used.

\*\*Customer must specify the orientation of fixtures on the pole when ordering. This information can be found in the options section, e.g. 190, 2180, etc.

\*\*Divine Lighting is not responsible for inconsistencies between poles, fixtures, and parts produced by different manufacturers, and cannot guarantee proper fitting between such components.



**Divine Standard Drill Pattern**