

Standard Product Specifications

Pole Shaft:

Fabricated from domestic ASTM A500 Grade C steel tubing, minimum yield strength 50,000 psi.

Base Plate:

ASTM A36 structural steel with 36,000 psi minimum yield. Two piece base cover and hardware included.

Anchor Bolts:

(4) Galvanized steel per ASTM F1554 Grade 55 with (2) nuts and (2) washers per bolt.

Hand Hole:

3x5 in.(4sq+4rd+) or 2x4 (3rd) reinforced opening 12 in. above base; includes cover and stainless-steel screws.

Finish:

Durable powder coat with phosphate pre-treatment for corrosion resistance. Optional primer undercoat available for extended protection.

Warranty:

2 Year Structural Warranty
1-Year Limited Finish Warranty Standard;
3-Year Optional Warranty
(Extended warranty options apply to finish only).

Grounding:

Grounding hole provided inside hand hole.

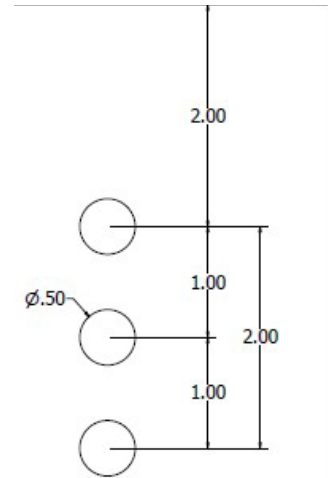
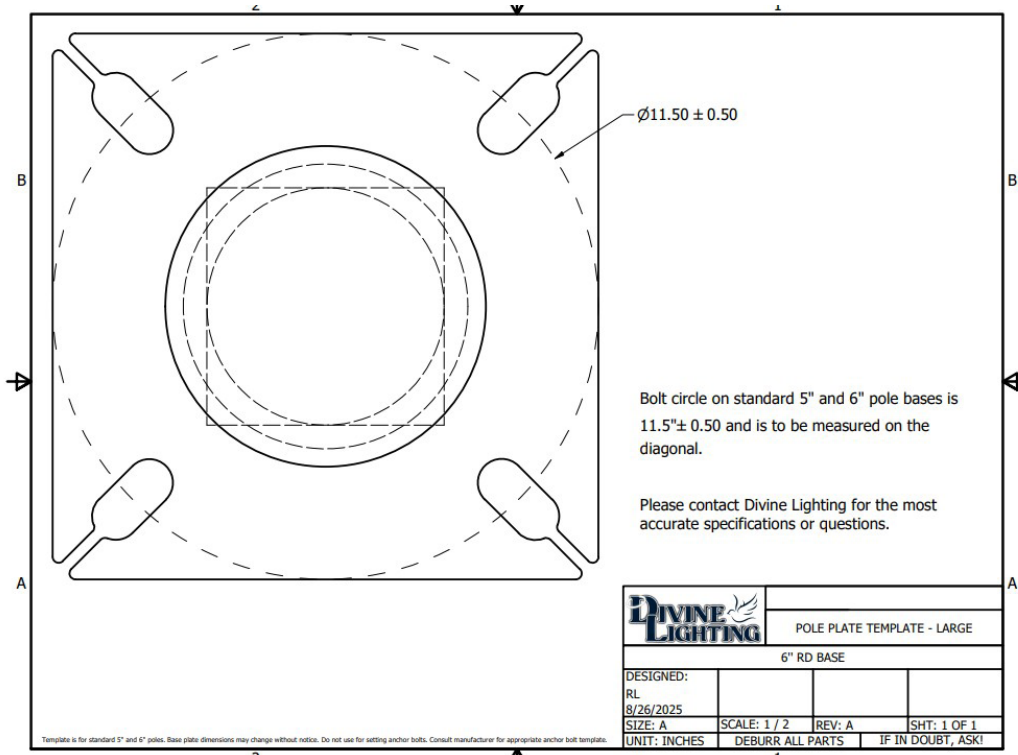


MODEL	SHAFT	SCHEDULE/GAUGE	HEIGHT	OPTIONS	PRIMER	FINISH
Model POLE-SSp (Round Steel Anchor Plate)	Shaft 5- 5" OD	Schedule/Gauge 7 - 7 Gauge	Height 8' 10' 15' 18' 20' 24' 30'	Options 190 - (1) 90 Degree Hole 2180 - (2) 180 Degree Holes GFCI - GFCI Receptacle GFCILOCK - GFCI Lock TENON 2 3/8 x 3 EYE - Eye Hooks	Primer(Optional) P - Primer Coat (Recommended for Coastal Environments)	Finish DB - Dark Bronze BL - Black AS - Anodized Silver WH- White CC - Custom Color

**Customer is responsible for providing fully dimensioned drill patterns when using heads from other manufacturers; otherwise, the standard Divine Lighting drill pattern will be used.

**Customer must specify the orientation of fixtures on the pole when ordering. This information can be found in the options section, e.g. 190, 2180, etc.

**Divine Lighting is not responsible for inconsistencies between poles, fixtures, and parts produced by different manufacturers, and cannot guarantee proper fitting between such components.



Divine Standard Drill Pattern