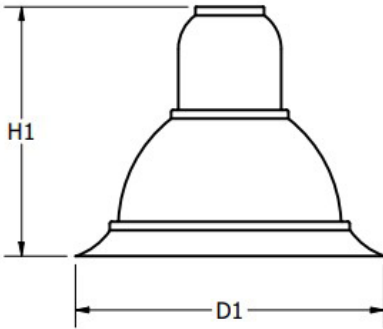


**Decorative Area & Site Luminaire
Architectural Outdoor Lighting Solution**



SPECIFICATIONS

EPA: 1.15 ft²
Height (H1): 14.5"
Diameter (D1): 18"
Weight: 26 lbs.

PERFORMANCE

Delivered Lumens:
4,000 – 12,000 lumens (depending on configuration)
*Higher outputs available - contact factory for details.
Wattage:
20W – 80W LED System
Efficacy:
Up to 195 lm/W (projected efficacy based on LED manufacturer data)
LED Lumen Maintenance:
L70 ≥ 102,000 hours
(ANSI/IES TM-21-21 projection based on LM-80 testing with 17,000-hour test data at Ts = 85°C)
Typical Application Life:
Projected LED life exceeds 100,000 hours under 25°C ambient operating conditions.
Color Characteristics:
CCT: 3000K / 4000K / 5000K
CRI: ≥80 standard
Distribution Types:
Type II, Type III, Type IV, Type V, Type V Square
Thermal Management:
Engineered heat dissipation system designed to maintain LED operating temperature for long-term lumen maintenance and system reliability.
*Photometric distributions are based on LEDiL optical system performance utilizing the specified LED package. Luminaire performance values are calculated from LED manufacturer data and optical system efficiency. Final performance values will be confirmed through LM-79 testing.
*Performance values represent design targets for the luminaire platform.

ELECTRICAL

Input Voltage:
120–277V
Dimming:
0–10V (DIM Option)
Driver:
Class 2 Programmable LED Driver
Power Factor >0.92
Total Harmonic Distortion (THD) <20%
Surge Protection:
6kV Line-to-Neutral
10kV Line/Neutral-to-Ground
Driver Protections:
Over Current Protection (OCP)
Open Circuit Protection
Short Circuit Protection (Auto Recovery)
Over Voltage Protection (OVP)
LEDs:
High-efficacy LEDs mounted to metal-core circuit boards for optimized thermal management.

CONSTRUCTION

Housing:
Spun Aluminum Housing with nominal wall thickness of 0.100" and fully welded stem assembly for structural rigidity and long-term durability.
*All aluminum components are manufactured from corrosion-resistant alloys suitable for outdoor architectural environments.
*Designed and manufactured in the USA.
Finish:
Corrosion-resistant Super Durable Powder Coat Finish
Optics:
Field Rotatable IP67-rated precision molded optical arrays with silicone gasket sealing.
LED Source:
Integrated LED Array

INSTALLATION

Installation by qualified electrician.
See mounting arm options for configuration details.

LISTINGS

ETL Listed for Wet Locations.
Conforms to UL 1598 and CSA standards.

WARRANTY

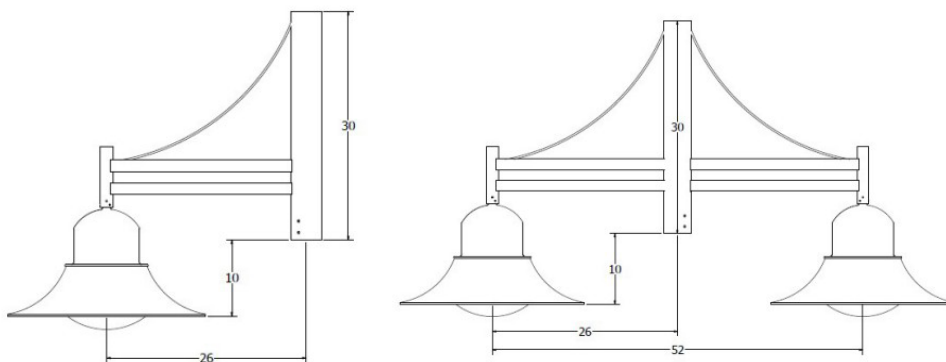
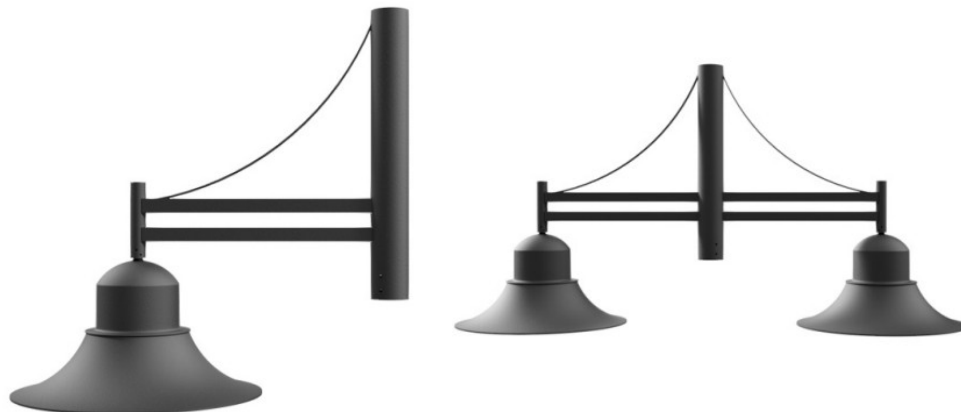
Standard 2-Year Limited Warranty
Optional 5-Year and 7-Year Extended Warranties Available
Rated for 40°C maximum ambient operating temperature.
Note: Specifications subject to change without notice. Actual performance may vary depending on installation environment and operating conditions.

ORDERING GUIDE

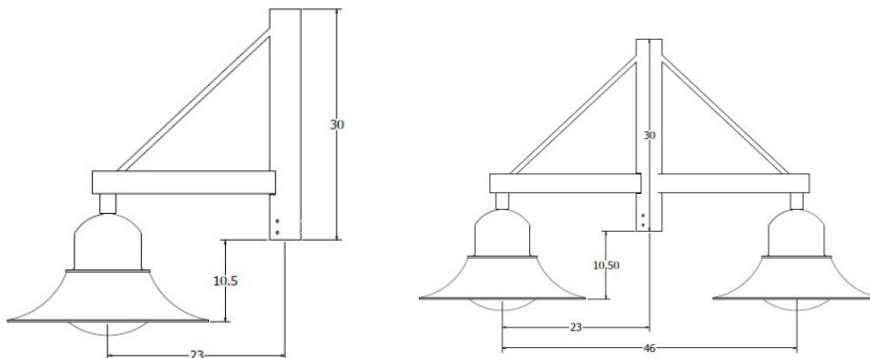
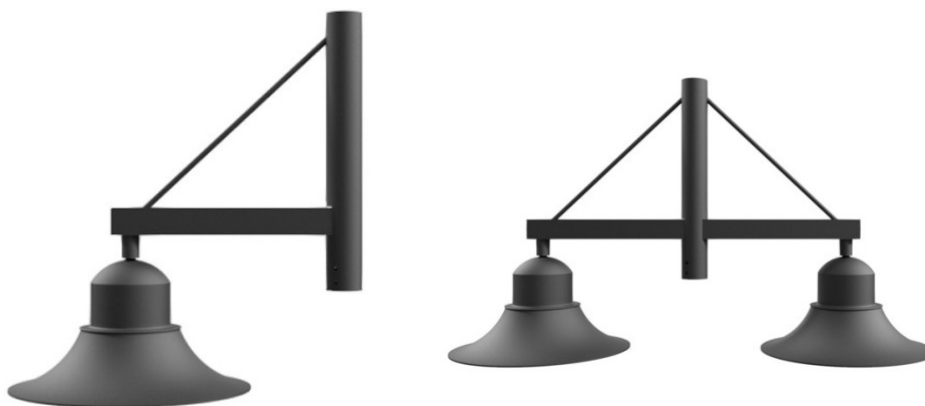
MODEL	FINISH	PERFORMANCE	KELVIN	TYPE	MOUNT	OPTIONS
Model SBELL	Finish DB - Dark Bronze BL - Black AS - Anodized Silver WH - White CC - Custom Color	Performance LED40 - 20W LED 4000 Lms LED60 - 30W LED 6000 Lms LED80 - 45W LED 8000 Lms LED100 - 60W LED 10000 Lms LED120 - 80W LED 12000 Lms *Higher Outputs Available - Contact Factory for Details	Kelvin 30 - 30K 40 - 40K 50 - 50K	Type II - Type II III - Type III IV - Type IV V - Type V VSQ - Type V Square	Mount WM - Wall Mount CBLH - Cable Hanger System DSA1-190/2180 - DSA1 1@90/2@180 DSA3-190/2180 - DSA3 1@90/2@180 DSA4-190/2180 - DSA4 1@90/2@180 GN1-190 - Gooseneck Type 1 - 1@90 GN2 - 190/2180 - Gooseneck Type 2 - 1@90/2@180	Options 5Y - 5 Year Warranty 7Y - 7 Year Warranty DIM - 0-10V Dimmable HSS - House Side Shield MOT - Motion Sensor

► MOUNTING OPTIONS

DSA1

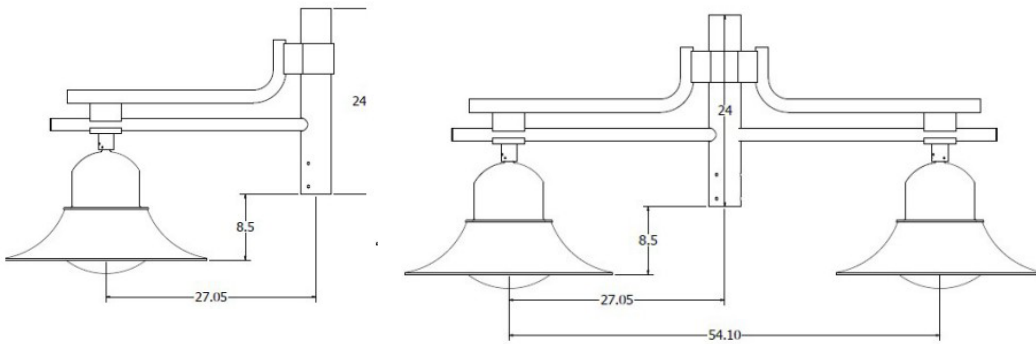


DSA3



► MOUNTING OPTIONS (CONT.)

DSA4



Gooseneck 1



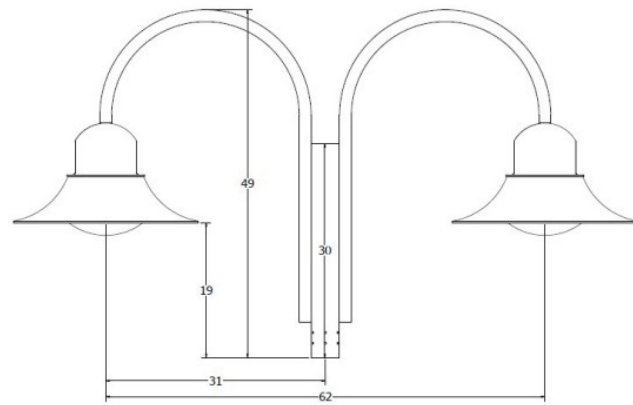
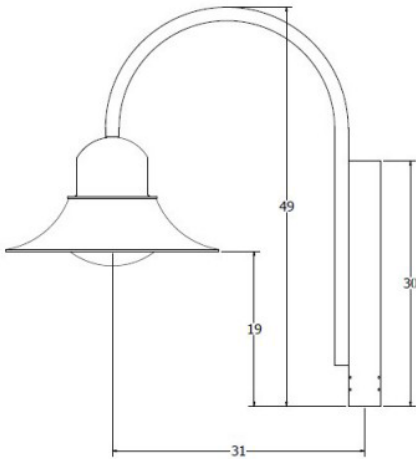
Gooseneck 2



1 Head @ 90 Degrees



2 Heads @ 180 Degrees



Please Indicate Mounting Preference When Ordering

EX. Part Number: **SBELL-BL-LED40-40-DSA1-190**

****Divine Lighting is not responsible for inconsistencies between poles, fixtures, and parts produced by different manufacturers, and cannot guarantee proper fitting between such components.**