

Standard Product Specifications

**Pole Shaft:**

Fabricated from domestic ASTM A500 Grade C steel tubing, minimum yield strength 50,000 psi.

**Base Plate:**

ASTM A36 structural steel with 36,000 psi minimum yield. Two piece base cover and hardware included.

**Anchor Bolts:**

(4) Galvanized steel per ASTM F1554 Grade 55 with (2) nuts and (2) washers per bolt.

**Hand Hole:**

3x5 in.(4sq+4rd+) or 2x4 (3rd) reinforced opening 12 in. above base; includes cover and stainless-steel screws.

**Finish:**

Durable powder coat with phosphate pre-treatment for corrosion resistance. Optional primer undercoat available for extended protection.

**Warranty:**

2 Year Structural Warranty  
1-Year Limited Finish Warranty Standard;  
3-Year Optional Warranty  
(Extended warranty options apply to finish only).

**Grounding:**

Grounding hole provided inside hand hole.



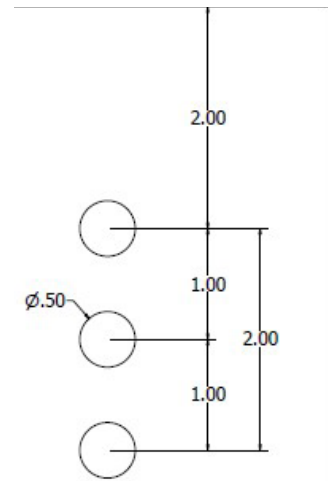
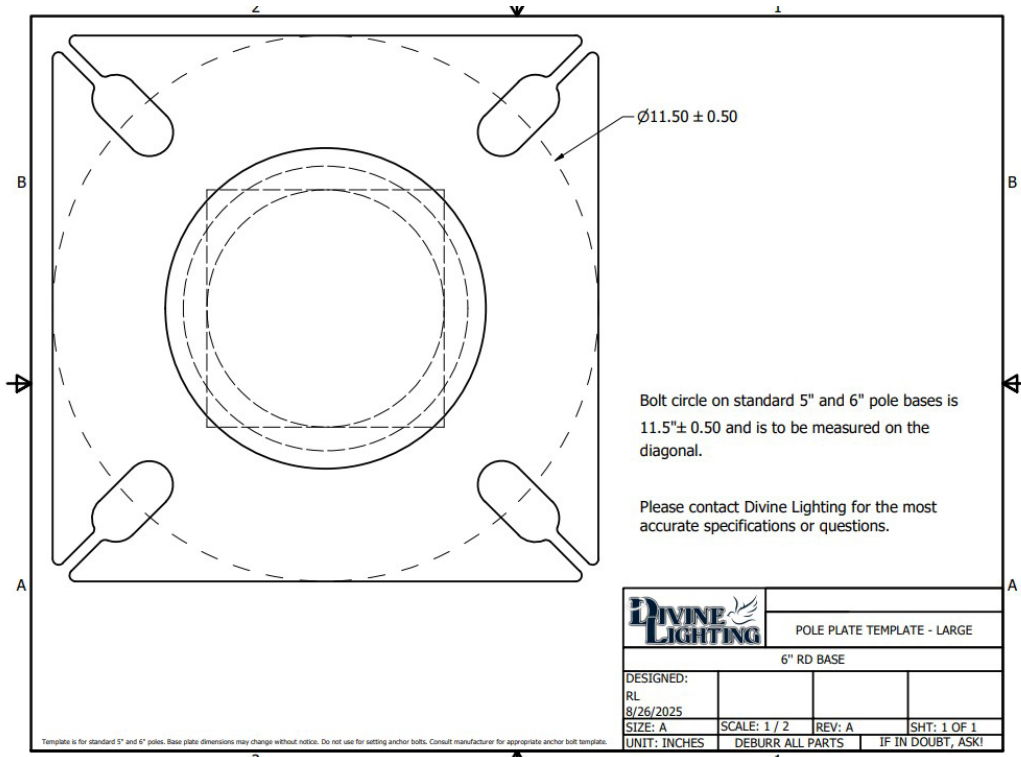
3/4x30" or 1x36"

MODEL	SHAFT	SCHEDULE/GAUGE	HEIGHT	OPTIONS	PRIMER	FINISH
<b>Model</b> <b>POLE-RSP</b> (Round Steel Anchor Plate)	<b>Shaft</b> 5 - 5" OD	<b>Schedule/Gauge</b> 40 - Schedule 40	<b>Height</b> 10' 12' 15' 18'	<b>Options</b> 190 - (1) 90 Degree Hole 2180 - (2) 180 Degree Holes GFCI - GFCI Receptacle GFCILOCK - GFCI Lock TENON 2 3/8 x 3 EYE - Eye Hooks DB3 - Decorative Base 3 FHH - Flush Hand Hole	<b>Primer(Optional)</b> P - Primer Coat (Recommended for Coastal Environments)	<b>Finish</b> DB - Dark Bronze BL - Black AS - Anodized Silver WH- White CC - Custom Color

\*\*Customer is responsible for providing fully dimensioned drill patterns when using heads from other manufacturers; otherwise, the standard Divine Lighting drill pattern will be used.

\*\*Customer must specify the orientation of fixtures on the pole when ordering. This information can be found in the options section, e.g. 190, 2180, etc.

\*\*Divine Lighting is not responsible for inconsistencies between poles, fixtures, and parts produced by different manufacturers, and cannot guarantee proper fitting between such components.



**Divine Standard Drill Pattern**

**POLE ACCESSORIES**  
**2-PC DECORATIVE BASES**

Standard Product Specifications

**Materials:**  
 Aluminum  
**Finish:**  
 Powder Coated  
**Listing:**  
 Wet List to Meet UL 1598 Standard

MODEL	FINISH
<b>Model</b> DB1 - 3" Pole DB2 - 4" Pole DB3-4 - 4" Pole DB3-5 - 5" Pole DB4 - 4" Pole	<b>Finish</b> DB - Dark Bronze BL - Black AS - Anodized Silver WH - White CC - Custom Color



**DB1**  
 24"H x 14"W  
 Fits 3" Pole



**DB2**  
 22"H x 15"W  
 Fits 4" Pole



**DB3**  
 27"H x 17"W  
 Fits 4" or 5" Pole



**DB4**  
 24"H x 12"W  
 Fits 4" Pole