

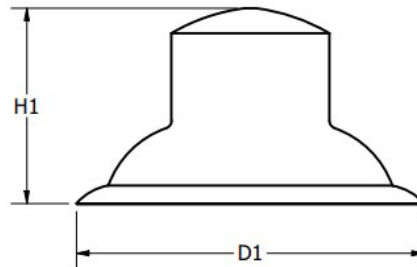
AREA AND SITE LIGHTING
LBELL027 SERIES

Standard Product Specifications

Materials:
 Cast Aluminum Housing
Finish:
 Powder Coated
Lens:
 Diffused Clear Glass
LED:
 Integrated LED Array

Listing:
 Wet List to Meet UL 1598 Standard
Driver Info:
 120/277V
Installation Information:
 Install by Qualified Electrician
Warranty:
 2 Years From Date of Shipment
 5 & 7 Year Warranties Available

DIMENSIONS:
 LBELL027A - 23"W x 18"H
 LBELL027B - 23"W x 26"H
 LBELL027C - 23"W x 26"H
 (Does not Include Arm Dimensions)



LBELL027A



LBELL027B



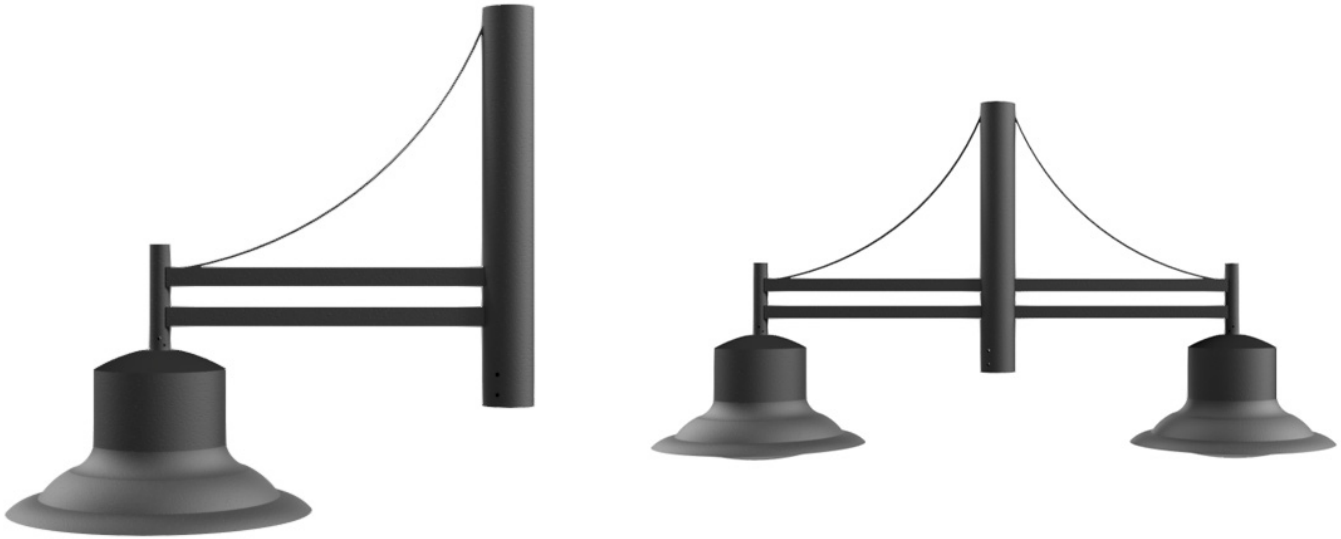
LBELL027C

LBELL027A Shown Mounted on DSA1 Arm
 (View Additional Mounting Options on the Next Page)

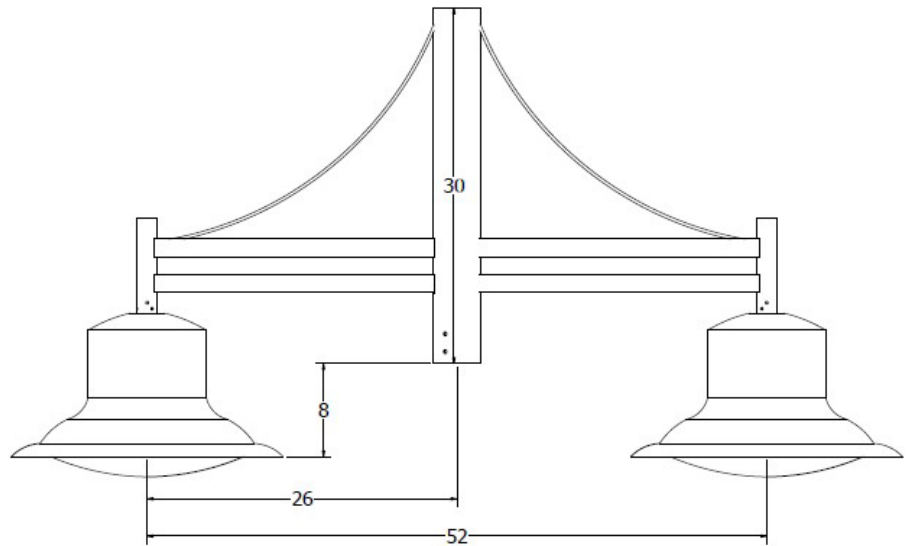
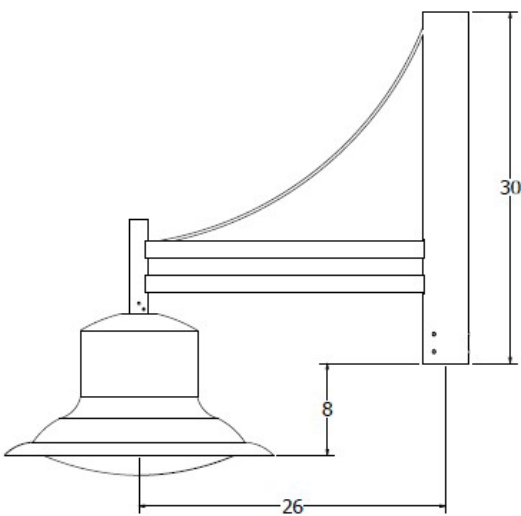
MODEL	FINISH	WATTAGE	KELVIN	TYPE	OPTIONS
Model LBELL027A LBELL027B LBELL027C	Finish DB - Dark Bronze BL - Black AS - Anodized Silver WH - White CC - Custom Color	Wattage LED60 - 60W LED 6000 Lms LED75 - 75W LED 7500 Lms LED100 - 100W LED 11750 Lms LED120 - 120W LED 18000 Lms LED150 - 150W LED 22000 Lms	Kelvin 40 - 40K 50 - 50K	Type V - Type V	Options 5Y - 5 Year Warranty 7Y - 7 Year Warranty PC - Photocell DIM - 0-10V Dimmable HSS - House Side Shield DSA1-190/2180 - DSA1 One Head @ 90 Degrees or Two Heads @ 180 Degrees DSA3-190/2180 - DSA3 One Head @ 90 Degrees or Two Heads @ 180 Degrees DSA4-190/2180 - DSA4 One Head @ 90 Degrees or Two Heads @ 180 Degrees GN1-190 - Gooseneck Type 1 - 1 Head @ 90 Degrees GN2 - 190/2180 - Gooseneck Type 2 - 1 Head @ 90 Degrees or 2 Heads @ 180 Degrees

Mounting Arm Options

DSA1



Dimensions:

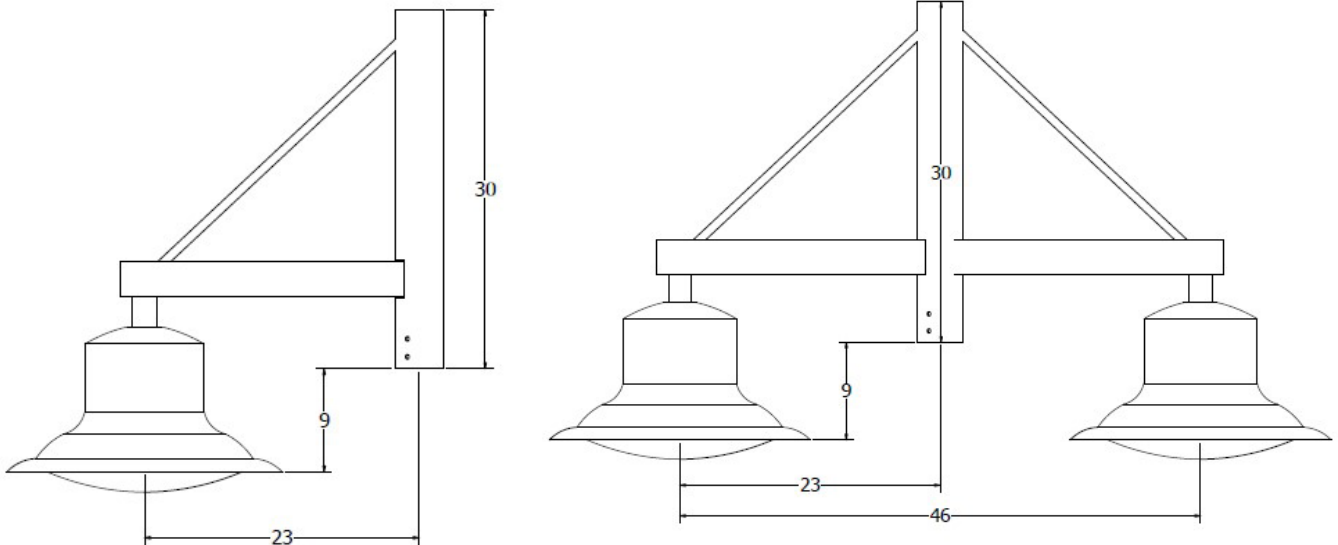


Mounting Arm Options(Continued)

DSA3

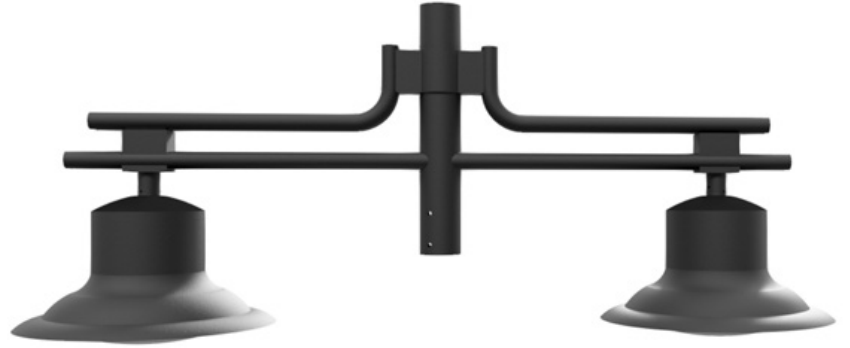


Dimensions:

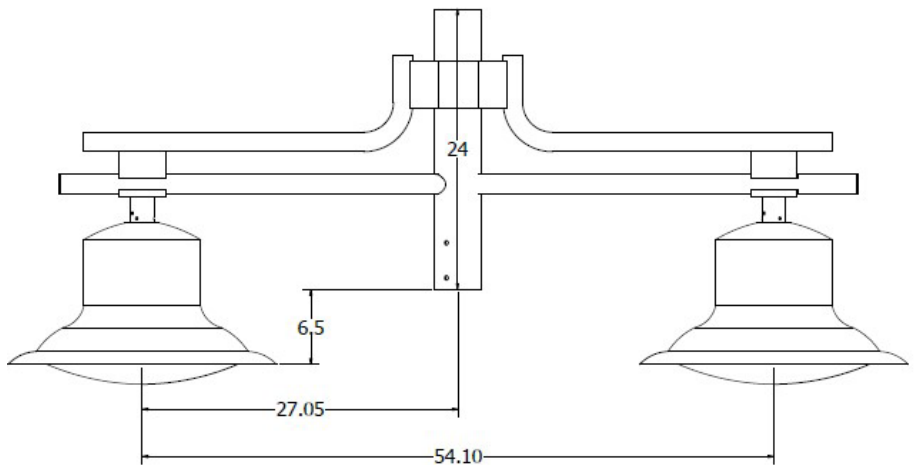
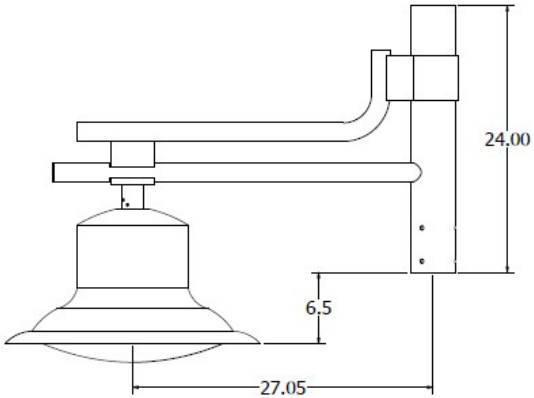


Mounting Arm Options(Continued)

DSA4

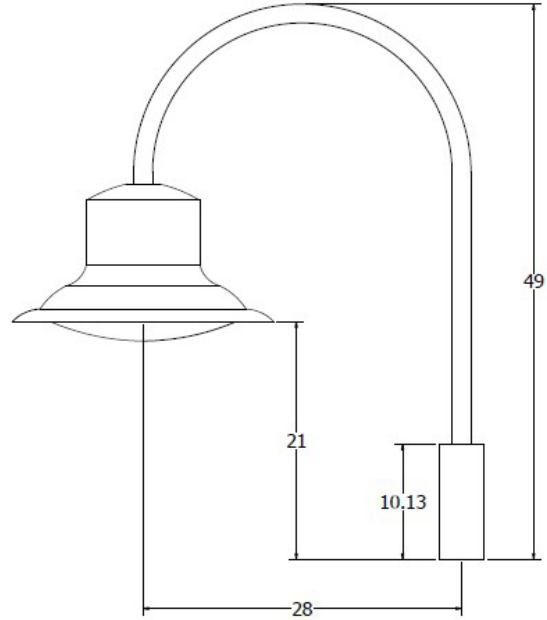


Dimensions:



Mounting Arm Options(Continued)

Gooseneck 1



Gooseneck 2



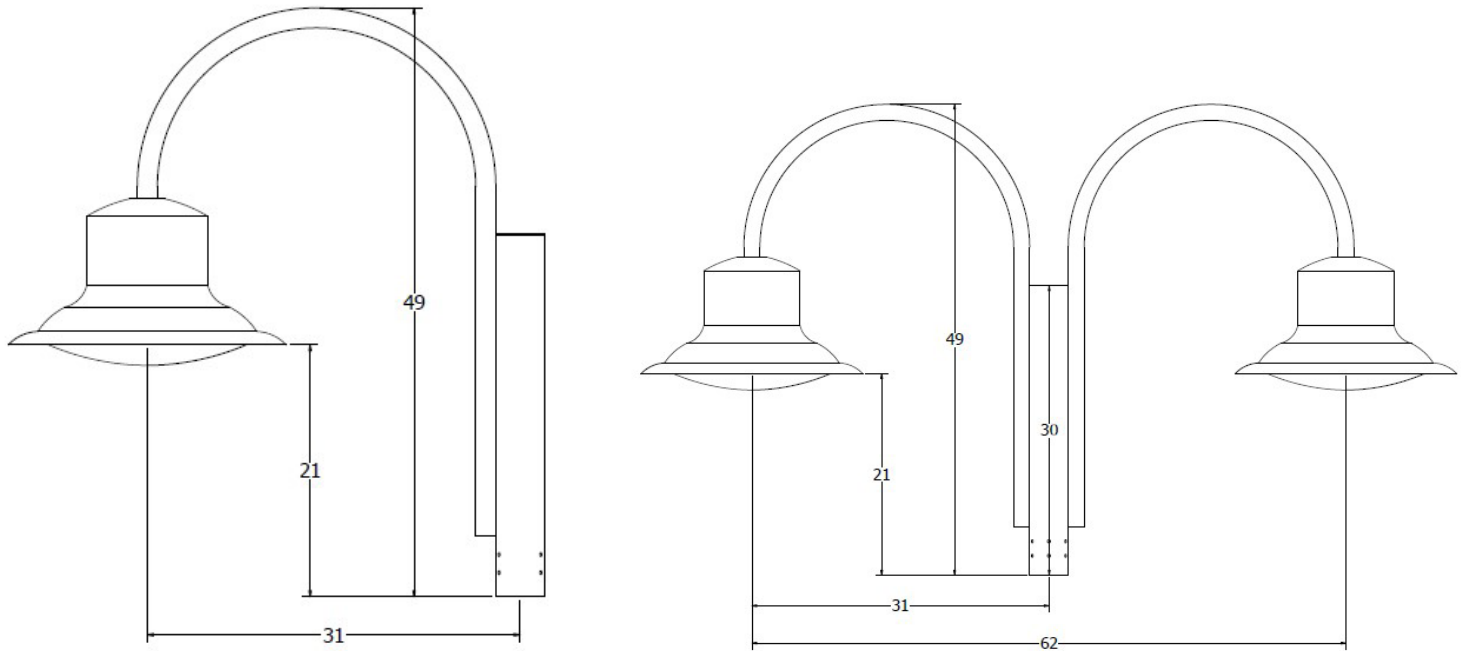
1 Head @ 90 Degrees



2 Heads @ 180 Degrees

Mounting Arm Options(Continued)

Dimensions:



Please Indicate Mounting Preference When Ordering
 EX. Part Number: **LBELL027A-BL-LED60-40-DSA1-190**

****Divine Lighting is not responsible for inconsistencies between poles, fixtures, and parts produced by different manufacturers, and cannot guarantee proper fitting between such components.**

MODEL	FINISH	WATTAGE	KELVIN	TYPE	OPTIONS
Model LBELL027A LBELL027B LBELL027C	Finish DB - Dark Bronze BL - Black AS - Anodized Silver WH - White CC - Custom Color	Wattage LED60 - 60W LED 6000 Lms LED75 - 75W LED 7500 Lms LED100 - 100W LED 11750 Lms LED120 - 120W LED 18000 Lms LED150 - 150W LED 22000 Lms	Kelvin 40 - 40K 50 - 50K	Type V - Type V	Options PC - Photocell DIM - 0-10V Dimmable HSS - House Side Shield DSA1-190/2180 - DSA1 One Head @ 90 Degrees or Two Heads @ 180 Degrees DSA3-190/2180 - DSA3 One Head @ 90 Degrees or Two Heads @ 180 Degrees DSA4-190/2180 - DSA4 One Head @ 90 Degrees or Two Heads @ 180 Degrees GN1-190 - Gooseneck Type 1 - 1 Head @ 90 Degrees GN2 - 190/2180 - Gooseneck Type 2 - 1 Head @ 90 Degrees or 2 Heads @ 180 Degrees