

**SPECIFICATIONS**

**EPA:** 1.58 ft<sup>2</sup>  
**Height (H1):** 16"  
**Diameter (D1):** 22"  
**Weight:** 26 lbs.

**Decorative Area & Site Luminaire  
 Architectural Outdoor Lighting Solution**

**PERFORMANCE**

**Delivered Lumens:**  
 4,000 – 12,000 lumens (depending on configuration)  
 \*Higher outputs available - contact factory for details.

**Wattage:**  
 20W – 80W LED System

**Efficacy:**  
 Up to 195 lm/W (projected efficacy based on LED manufacturer data)

**LED Lumen Maintenance:**  
 L70 ≥ 102,000 hours  
 (ANSI/IES TM-21-21 projection based on LM-80 testing with 17,000-hour test data at Ts = 85°C)

**Typical Application Life:**  
 Projected LED life exceeds 100,000 hours under 25°C ambient operating conditions.

**Color Characteristics:**  
 CCT: 3000K / 4000K / 5000K  
 CRI: ≥80 standard

**Distribution Types:**  
 Type II, Type III, Type IV, Type V, Type V Square

**Thermal Management:**  
 Engineered heat dissipation system designed to maintain LED operating temperature for long-term lumen maintenance and system reliability.  
 \*Photometric distributions are based on LEDiL optical system performance utilizing the specified LED package. Luminaire performance values are calculated from LED manufacturer data and optical system efficiency. Final performance values will be confirmed through LM-79 testing.  
 \*Performance values represent design targets for the luminaire platform.

**ELECTRICAL**

**Input Voltage:**  
 120–277V

**Dimming:**  
 0–10V (DIM Option)

**Driver:**  
 Class 2 Programmable LED Driver  
 Power Factor >0.92  
 Total Harmonic Distortion (THD) <20%

**Surge Protection:**  
 6kV Line-to-Neutral  
 10kV Line/Neutral-to-Ground

**Driver Protections:**  
 Over Current Protection (OCP)  
 Open Circuit Protection  
 Short Circuit Protection (Auto Recovery)  
 Over Voltage Protection (OVP)

**LEDs:**  
 High-efficacy LEDs mounted to metal-core circuit boards for optimized thermal management.

**CONSTRUCTION**

**Housing:**  
 Spun Aluminum Housing with nominal wall thickness of 0.100" and fully welded stem assembly for structural rigidity and long-term durability.  
 \*All aluminum components are manufactured from corrosion-resistant alloys suitable for outdoor architectural environments.  
 \*Designed and manufactured in the USA.

**Finish:**  
 Corrosion-resistant Super Durable Powder Coat Finish

**Optics:**  
 Field Rotatable IP67-rated precision molded optical arrays with silicone gasket sealing.

**LED Source:**  
 Integrated LED Array

**INSTALLATION**

Installation by qualified electrician.  
 See mounting arm options for configuration details.

**LISTINGS**

ETL Listed for Wet Locations.  
 Conforms to UL 1598 and CSA standards.

**WARRANTY**

Standard 2-Year Limited Warranty  
 Optional 5-Year and 7-Year Extended Warranties Available  
 Rated for 40°C maximum ambient operating temperature.

Note: Specifications subject to change without notice. Actual performance may vary depending on installation environment and operating conditions.

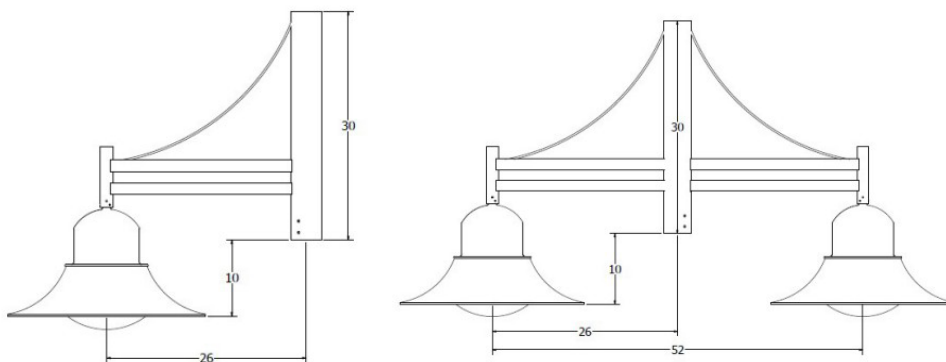
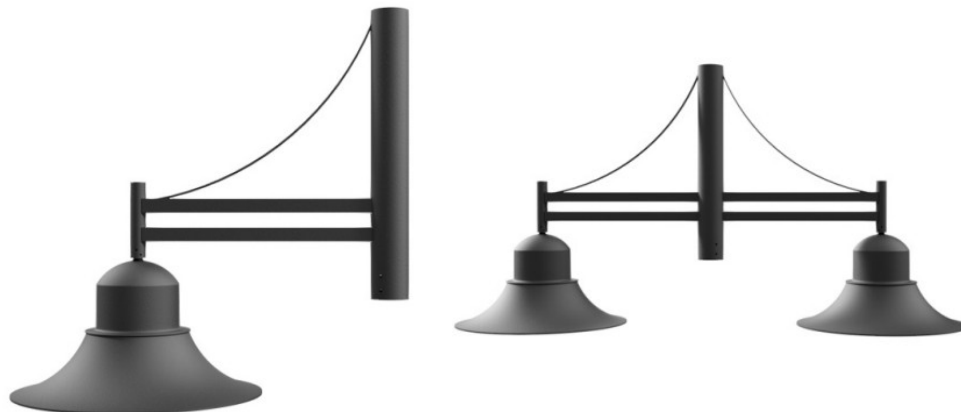


**ORDERING GUIDE**

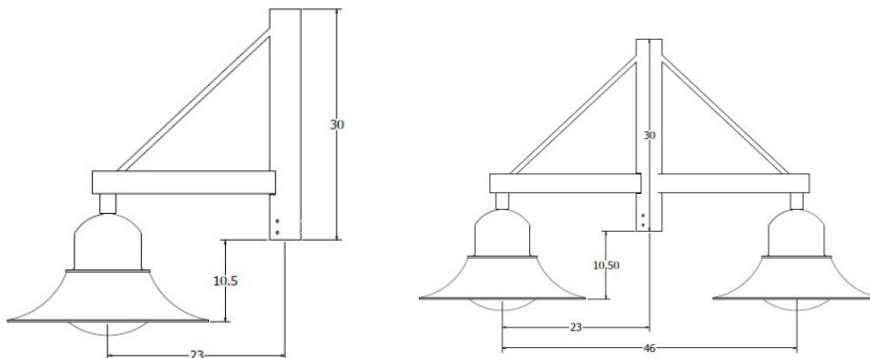
MODEL	FINISH	PERFORMANCE	KELVIN	TYPE	MOUNT	OPTIONS
<b>Model</b> LBELL	<b>Finish</b> DB - Dark Bronze BL - Black AS - Anodized Silver WH - White CC - Custom Color	<b>Performance</b> LED40 - 20W LED 4000 Lms LED60 - 30W LED 6000 Lms LED80 - 45W LED 8000 Lms LED100 - 60W LED 10000 Lms LED120 - 80W LED 12000 Lms <i>*Higher Outputs Available - Contact Factory for Details</i>	<b>Kelvin</b> 30 - 30K 40 - 40K 50 - 50K	<b>Type</b> II - Type II III - Type III IV - Type IV V - Type V VSQ - Type V Square	<b>Mount</b> WM - Wall Mount CBLH - Cable Hanger System DSA1-190/2180 - DSA1 1@90/2@180 DSA3-190/2180 - DSA3 1@90/2@180 DSA4-190/2180 - DSA4 1@90/2@180 GN1-190 - Gooseneck Type 1 - 1@90 GN2 - 190/2180 - Gooseneck Type 2 - 1@90/2@180	<b>Options</b> 5Y - 5 Year Warranty 7Y - 7 Year Warranty DIM - 0-10V Dimmable HSS - House Side Shield MOT - Motion Sensor

► MOUNTING OPTIONS

DSA1

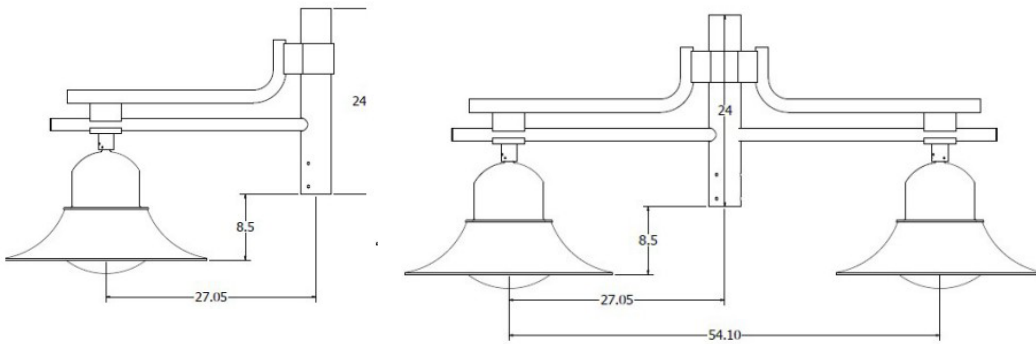


DSA3



► MOUNTING OPTIONS (CONT.)

DSA4



Gooseneck 1



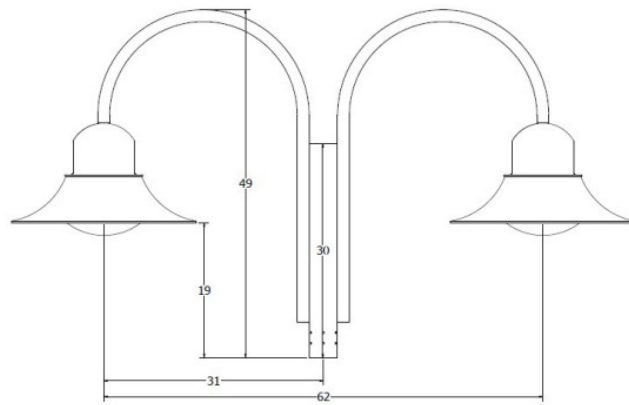
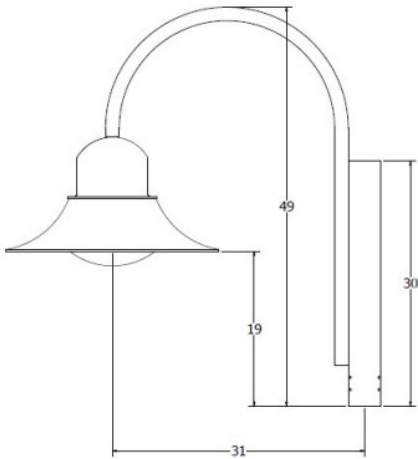
## Gooseneck 2



**1 Head @ 90 Degrees**



**2 Heads @ 180 Degrees**



**Please Indicate Mounting Preference When Ordering**

EX. Part Number: **LBELL-BL-LED40-40-DSA1-190**

**\*\*Divine Lighting is not responsible for inconsistencies between poles, fixtures, and parts produced by different manufacturers, and cannot guarantee proper fitting between such components.**