

# EXODUS SERIES

## Decorative Multi-Purpose Luminaire Architectural Lighting Solution



### PERFORMANCE

**Delivered Lumens:**  
5,700 – 27,600 lumens (depending on configuration)  
**Wattage:**  
36W – 200W LED System (CCT Selectable)  
**Efficacy:**  
Up to 183 lm/W  
**LED Lumen Maintenance:**  
Estimated 100,000 hours based on IES LM-80 results and TM-21 calculations.  
**Typical Application Life:**  
Projected LED life exceeds 100,000 hours under 25°C ambient operating conditions.  
**Color Characteristics:**  
CCT: 3000K / 4000K / 5000K (CCT Selectable)  
CRI: ≥80 standard  
**Distribution Types:**  
Type III, Type IV, Type V (CCT Selectable)  
**Thermal Management:**  
Incorporates cutting-edge thermal and electric separation to enhance heat dissipation and boost product performance.

\*Actual performance may differ as a result of end-user environment and application. All values are design or typical values, measured under laboratory conditions at 25°(±5°).

### ELECTRICAL

**Input Voltage:**  
120/277V  
**Dimming:**  
0–10V (DIM Option), Dimmable Down to 10%  
**Driver:**  
Programmable LED Driver  
Power Factor >0.90  
Total Harmonic Distortion (THD) <20%  
**Surge Protection:**  
Built-In Standard Surge Protection with 6KV  
**LEDs:**  
High-efficacy LEDs mounted to metal-core circuit boards for optimized thermal management.

### CONSTRUCTION

**Housing:**  
Sleek & Ultra-Slim Die-Cast Aluminum Housing offers structural rigidity and long-term durability.  
\*All aluminum components are manufactured from corrosion-resistant alloys suitable for outdoor architectural environments.  
**Finish:**  
Corrosion-resistant Super Durable Powder Coat Finish  
**Optics:**  
Glare-Minimizing Frosted or Prismatic Lens with Multiple Selectable Distribution Types. Optics Can Conform to Meet Dark Sky Requirements. Color and Type Switching Standard with Field-Selectable Settings  
**LED Source:**  
Integrated LED Array

### INSTALLATION

Installation by qualified electrician.  
Post Top Mounts on 3" Pole or with a 2 3/8" Tenon

### LISTINGS

UL Listed for Wet Locations.  
Conforms to UL 1598 and CSA standards.  
DesignLights Consortium™ Qualified  
Note: DesignLights Consortium™ Qualified and classified for DLC Premium (all lumen packages), refer to www.designlights.org for details.

### WARRANTY

Standard 2-Year Limited Warranty  
Optional 5-Year and 7-Year Extended Warranties Available  
Rated for -40°C to 40°C ambient operating temperature.  
Note: Specifications subject to change without notice. Actual performance may vary depending on installation environment and operating conditions.

### SPECIFICATIONS

EPA: 0.34 Sq. Ft.  
DPTMPL Mounts on 3" Pole or 2 3/8" Tenon  
See Drawings For Dimensions

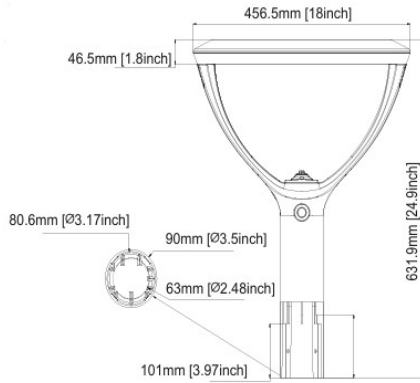


### ORDERING GUIDE

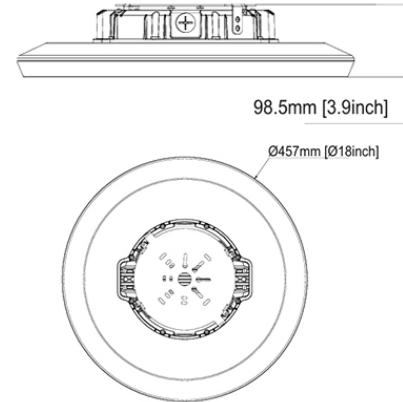
MODEL	FINISH	PERFORMANCE	KELVIN	LENS	TYPE	OPTIONS
		*@ 100% Power, 4000K, Type III				
<b>Model</b> EXOPD EXOSM EXOPT EXOSL	<b>Finish</b> DB - Dark Bronze BL - Black  Other Colors Available - Custom Colors May Incur Additional Fees	<b>Performance</b> LED90 - 90W LED 14800 / 12000 / 9500 / 6800 Lms LED130 - 130W LED 19500 / 16000 / 13000 / 9000 Lms LED160 - 160W LED 23500 / 20000 / 15500 / 11200 Lms LED200 - 200W LED 28500 / 24300 / 19700 / 14100 Lms  *See Charts for Additional Lumen Outputs	<b>Kelvin (CCT Selectable)</b> 30 - 30K 40 - 40K 50 - 50K	<b>Lens</b> P - Prismatic FR - Frosted	<b>Type (CCT Selectable)</b> III - Type III *Prismatic Lens Only IV - Type IV *Prismatic Lens Only V - Type V *Prismatic or Frosted	<b>Options</b> 5Y - 5 Year Warranty 7Y - 7 Year Warranty DIM - 0-10V Dimmable MOT - Motion Sensing PC - Photocell GN - Gooseneck PDX - Pendant Mount in Inches HSS - House Side Shield

# EXODUS SERIES

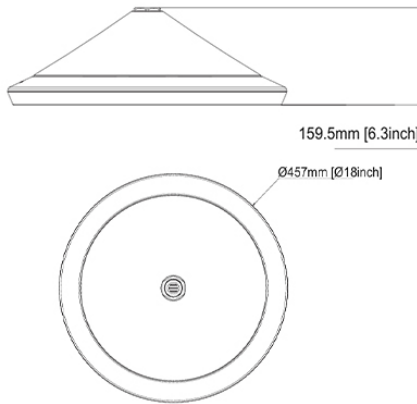
## EXOFT DIMENSIONS



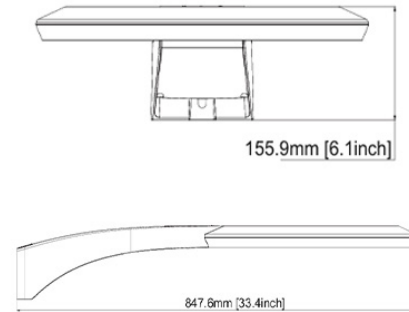
## EXOSM DIMENSIONS



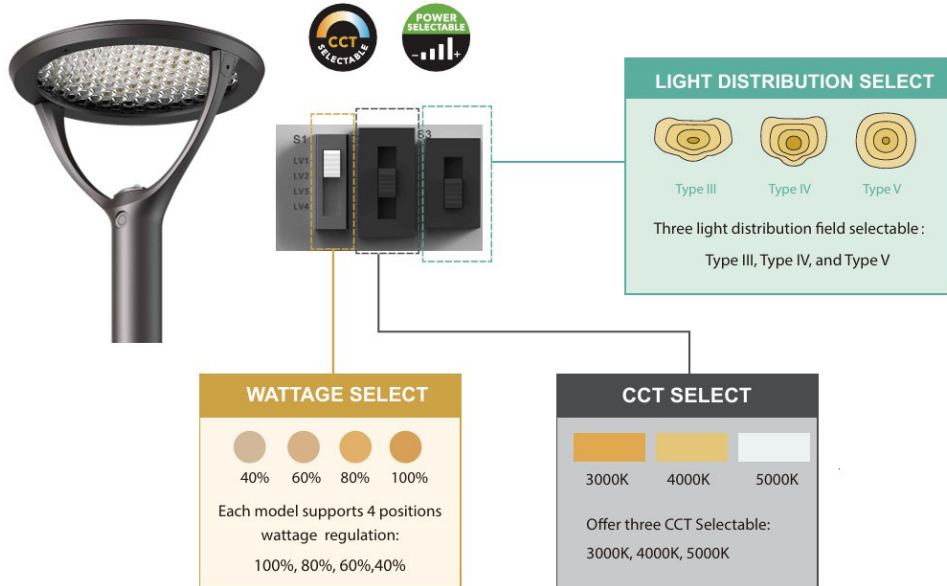
## EXOPD DIMENSIONS



## EXOSL DIMENSIONS



## CCT Selectable Switches



# EXODUS SERIES

## Lens Options



Frosted Diffuser



Prismatic Diffuser

## Photocell Configuration



## Lumen Charts - Type III & V

EXODUS SERIES 90W								
Distribution	Power Level	System Watts	3000K		4000K		5000K	
			Lumens	LPW	Lumens	LPW	Lumens	LPW
Type III & V	100%	90W	13000 Lms	144 Lms/W	14800 Lms	164 Lms/W	13800 Lms	153 Lms/W
	80%	72W	10700 Lms	149 Lms/W	12000 Lms	167 Lms/W	11300 Lms	157 Lms/W
	60%	54W	8300 Lms	154 Lms/W	9500 Lms	176 Lms/W	8800 Lms	163 Lms/W
	40%	36W	5700 Lms	158 Lms/W	6800 Lms	189 Lms/W	6300 Lms	175 Lms/W

EXODUS SERIES 130W								
Distribution	Power Level	System Watts	3000K		4000K		5000K	
			Lumens	LPW	Lumens	LPW	Lumens	LPW
Type III & V	100%	130W	18000 Lms	138 Lms/W	19500 Lms	150 Lms/W	18500 Lms	142 Lms/W
	80%	104W	15200 Lms	146 Lms/W	16000 Lms	154 Lms/W	15500 Lms	149 Lms/W
	60%	78W	12000 Lms	154 Lms/W	13000 Lms	167 Lms/W	12500 Lms	160 Lms/W
	40%	52W	8500 Lms	163 Lms/W	9000 Lms	173 Lms/W	8750 Lms	168 Lms/W

EXODUS SERIES 160W								
Distribution	Power Level	System Watts	3000K		4000K		5000K	
			Lumens	LPW	Lumens	LPW	Lumens	LPW
Type III & V	100%	160W	21500 Lms	134 Lms/W	23500 Lms	147 Lms/W	22800 Lms	143 Lms/W
	80%	128W	17500 Lms	137 Lms/W	20000 Lms	156 Lms/W	18800 Lms	147 Lms/W
	60%	96W	13500 Lms	141 Lms/W	15500 Lms	161 Lms/W	14500 Lms	151 Lms/W
	40%	64W	9500 Lms	148 Lms/W	11200 Lms	175 Lms/W	10500 Lms	164 Lms/W

# EXODUS SERIES

EXODUS SERIES 200W								
Distribution	Power Level	System Watts	3000K		4000K		5000K	
			Lumens	LPW	Lumens	LPW	Lumens	LPW
Type III & V	100%	200W	24600 Lms	123 Lms/W	28500 Lms	143 Lms/W	27600 Lms	138 Lms/W
	80%	160W	21000 Lms	131 Lms/W	24300 Lms	152 Lms/W	23600 Lms	148 Lms/W
	60%	120W	17000 Lms	142 Lms/W	19700 Lms	164 Lms/W	19000 Lms	158 Lms/W
	40%	80W	12200 Lms	153 Lms/W	14100 Lms	176 Lms/W	13700 Lms	171 Lms/W

## Lumen Charts - Type IV

EXODUS SERIES 90W								
Distribution	Power Level	System Watts	3000K		4000K		5000K	
			Lumens	LPW	Lumens	LPW	Lumens	LPW
Type IV	100%	90W	13500 Lms	150 Lms/W	15000 Lms	167 Lms/W	14200 Lms	158 Lms/W
	80%	72W	11000 Lms	153 Lms/W	12500 Lms	174 Lms/W	11700 Lms	163 Lms/W
	60%	54W	8600 Lms	159 Lms/W	10000 Lms	185 Lms/W	9300 Lms	172 Lms/W
	40%	36W	6200 Lms	172 Lms/W	7100 Lms	197 Lms/W	6600 Lms	183 Lms/W

EXODUS SERIES 130W								
Distribution	Power Level	System Watts	3000K		4000K		5000K	
			Lumens	LPW	Lumens	LPW	Lumens	LPW
Type IV	100%	130W	18500 Lms	142 Lms/W	20000 Lms	154 Lms/W	19500 Lms	150 Lms/W
	80%	104W	15500 Lms	149 Lms/W	16500 Lms	159 Lms/W	16000 Lms	154 Lms/W
	60%	78W	12500 Lms	160 Lms/W	13500 Lms	173 Lms/W	13000 Lms	167 Lms/W
	40%	52W	8700 Lms	167 Lms/W	9500 Lms	183 Lms/W	9100 Lms	175 Lms/W

EXODUS SERIES 160W								
Distribution	Power Level	System Watts	3000K		4000K		5000K	
			Lumens	LPW	Lumens	LPW	Lumens	LPW
Type IV	100%	160W	23500 Lms	147 Lms/W	25500 Lms	159 Lms/W	24500 Lms	153 Lms/W
	80%	128W	19500 Lms	152 Lms/W	21000 Lms	164 Lms/W	20200 Lms	158 Lms/W
	60%	96W	15000 Lms	156 Lms/W	16000 Lms	167 Lms/W	15500 Lms	161 Lms/W
	40%	64W	10500 Lms	164 Lms/W	11500 Lms	180 Lms/W	11000 Lms	172 Lms/W

EXODUS SERIES 200W								
Distribution	Power Level	System Watts	3000K		4000K		5000K	
			Lumens	LPW	Lumens	LPW	Lumens	LPW
Type IV	100%	200W	26000 Lms	130 Lms/W	30000 Lms	150 Lms/W	27600 Lms	138 Lms/W
	80%	160W	22200 Lms	139 Lms/W	25700 Lms	161 Lms/W	23600 Lms	148 Lms/W
	60%	120W	17900 Lms	149 Lms/W	20800 Lms	173 Lms/W	19000 Lms	158 Lms/W
	40%	80W	12800 Lms	160 Lms/W	14800 Lms	185 Lms/W	13600 Lms	170 Lms/W