



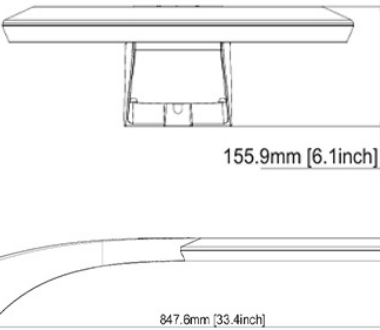
**Decorative Area & Site Luminaire  
Architectural Outdoor Lighting Solution**



Pole Mount (Shown on Square Pole)



Wall Mount



**SPECIFICATIONS**

Round or Square Pole Mounting Options  
See Drawing For Dimensions

**PERFORMANCE**

**Delivered Lumens:**  
5,700 – 27,600 lumens (depending on configuration)  
**Wattage:**  
36W – 200W LED System (CCT Selectable)  
**Efficacy:**  
Up to 197 lm/W  
**LED Lumen Maintenance:**  
L70 ≥ 100,000 hours  
(ANSI/IES TM-21-21 projection based on LM-80 testing with 17,000-hour test data at Ts = 85°C)  
**Typical Application Life:**  
Projected LED life exceeds 100,000 hours under 25°C ambient operating conditions.  
**Color Characteristics:**  
CCT: 3000K / 4000K / 5000K (CCT Selectable)  
CRI: ≥80 standard  
**Distribution Types:**  
Type III, Type IV, Type V (CCT Selectable)  
**Thermal Management:**  
Engineered heat dissipation system designed to maintain LED operating temperature for long-term lumen maintenance and system reliability.  
\*Photometric distributions are based on LEDiL optical system performance utilizing the specified LED package. Luminaire performance values are calculated from LED manufacturer data and optical system efficiency. Final performance values will be confirmed through LM-79 testing.  
\*Performance values represent design targets for the luminaire platform.

**ELECTRICAL**

**Input Voltage:**  
120–277V  
**Dimming:**  
0–10V (DIM Option)  
**Driver:**  
Programmable LED Driver  
Power Factor >0.90  
Total Harmonic Distortion (THD) <20%  
**Surge Protection:**  
Built-In Standard Surge Protection with 6KV  
**LEDs:**  
High-efficacy LEDs mounted to metal-core circuit boards for optimized thermal management.

**CONSTRUCTION**

**Housing:**  
Die-Cast Aluminum Housing for structural rigidity and long-term durability.  
\*All aluminum components are manufactured from corrosion-resistant alloys suitable for outdoor architectural environments.  
**Finish:**  
Corrosion-resistant Super Durable Powder Coat Finish  
**Optics:**  
Frosted or Prismatic Lens with Multiple Selectable Distribution Types  
**LED Source:**  
Integrated LED Array

**INSTALLATION**

Installation by qualified electrician.  
Mounts on 3" Pole or with a 2 3/8" Tenon

**LISTINGS**

UL Listed for Wet Locations.  
Conforms to UL 1598 and CSA standards.

**WARRANTY**

Standard 2-Year Limited Warranty  
Optional 5-Year and 7-Year Extended Warranties Available  
Rated for -40°C to 40°C ambient operating temperature.

Note: Specifications subject to change without notice. Actual performance may vary depending on installation environment and operating conditions.

**ORDERING GUIDE**

MODEL	FINISH	PERFORMANCE	KELVIN	MOUNTING	TYPE	LENS	OPTIONS
		*@ 100% Power, 4000K, Type III					
<b>Model</b> DSLMP	<b>Finish</b> DB - Dark Bronze BL - Black AS - Anodized Silver WH - White CC - Custom Color	<b>Performance</b> LED90 - 90W LED 14800 Lms LED130 - 130W LED 19500 Lms LED160 - 160W LED 23500 Lms LED200 - 200W LED 28500 Lms  *See Charts for Additional Lumen Outputs	<b>Kelvin (CCT Selectable)</b> 30 - 30K 40 - 40K 50 - 50K	<b>Mounting</b> 3RD - 3" Round 4RD - 4" Round 4SQ - 4" Square WM - Wall Mount	<b>Type (CCT Selectable)</b> III - Type III IV - Type IV V - Type V	<b>Lens</b> P - Prismatic FR - Frosted	<b>Options</b> 5Y - 5 Year Warranty 7Y - 7 Year Warranty DIM - 0-10V Dimmable MOT - Motion Sensing PC - Photocell

**Lumen Charts - Type III & V**

DPTMPL 90W								
Distribution	Power Level	System Watts	3000K		4000K		5000K	
			Lumens	LPW	Lumens	LPW	Lumens	LPW
Type III & V	100%	90W	13000 Lms	144 Lms/W	14800 Lms	164 Lms/W	13800 Lms	153 Lms/W
	80%	72W	10700 Lms	149 Lms/W	12000 Lms	167 Lms/W	11300 Lms	157 Lms/W
	60%	54W	8300 Lms	154 Lms/W	9500 Lms	176 Lms/W	8800 Lms	163 Lms/W
	40%	36W	5700 Lms	158 Lms/W	6800 Lms	189 Lms/W	6300 Lms	175 Lms/W

DPTMPL 130W								
Distribution	Power Level	System Watts	3000K		4000K		5000K	
			Lumens	LPW	Lumens	LPW	Lumens	LPW
Type III & V	100%	130W	18000 Lms	138 Lms/W	19500 Lms	150 Lms/W	18500 Lms	142 Lms/W
	80%	104W	15200 Lms	146 Lms/W	16000 Lms	154 Lms/W	15500 Lms	149 Lms/W
	60%	78W	12000 Lms	154 Lms/W	13000 Lms	167 Lms/W	12500 Lms	160 Lms/W
	40%	52W	8500 Lms	163 Lms/W	9000 Lms	173 Lms/W	8750 Lms	168 Lms/W

DPTMPL 160W								
Distribution	Power Level	System Watts	3000K		4000K		5000K	
			Lumens	LPW	Lumens	LPW	Lumens	LPW
Type III & V	100%	160W	21500 Lms	134 Lms/W	23500 Lms	147 Lms/W	22800 Lms	143 Lms/W
	80%	128W	17500 Lms	137 Lms/W	20000 Lms	156 Lms/W	18800 Lms	147 Lms/W
	60%	96W	13500 Lms	141 Lms/W	15500 Lms	161 Lms/W	14500 Lms	151 Lms/W
	40%	64W	9500 Lms	148 Lms/W	11200 Lms	175 Lms/W	10500 Lms	164 Lms/W

DPTMPL 200W								
Distribution	Power Level	System Watts	3000K		4000K		5000K	
			Lumens	LPW	Lumens	LPW	Lumens	LPW
Type III & V	100%	200W	24600 Lms	123 Lms/W	28500 Lms	143 Lms/W	27600 Lms	138 Lms/W
	80%	160W	21000 Lms	131 Lms/W	24300 Lms	152 Lms/W	23600 Lms	148 Lms/W
	60%	120W	17000 Lms	142 Lms/W	19700 Lms	164 Lms/W	19000 Lms	158 Lms/W
	40%	80W	12200 Lms	153 Lms/W	14100 Lms	176 Lms/W	13700 Lms	171 Lms/W

**Lumen Charts - Type IV**

DPTMPL 90W								
Distribution	Power Level	System Watts	3000K		4000K		5000K	
			Lumens	LPW	Lumens	LPW	Lumens	LPW
Type IV	100%	90W	13500 Lms	150 Lms/W	15000 Lms	167 Lms/W	14200 Lms	158 Lms/W
	80%	72W	11000 Lms	153 Lms/W	12500 Lms	174 Lms/W	11700 Lms	163 Lms/W
	60%	54W	8600 Lms	159 Lms/W	10000 Lms	185 Lms/W	9300 Lms	172 Lms/W
	40%	36W	6200 Lms	172 Lms/W	7100 Lms	197 Lms/W	6600 Lms	183 Lms/W

DPTMPL 130W								
Distribution	Power Level	System Watts	3000K		4000K		5000K	
			Lumens	LPW	Lumens	LPW	Lumens	LPW
Type IV	100%	130W	18500 Lms	142 Lms/W	20000 Lms	154 Lms/W	19500 Lms	150 Lms/W
	80%	104W	15500 Lms	149 Lms/W	16500 Lms	159 Lms/W	16000 Lms	154 Lms/W
	60%	78W	12500 Lms	160 Lms/W	13500 Lms	173 Lms/W	13000 Lms	167 Lms/W
	40%	52W	8700 Lms	167 Lms/W	9500 Lms	183 Lms/W	9100 Lms	175 Lms/W

DPTMPL 160W								
Distribution	Power Level	System Watts	3000K		4000K		5000K	
			Lumens	LPW	Lumens	LPW	Lumens	LPW
Type IV	100%	160W	23500 Lms	147 Lms/W	25500 Lms	159 Lms/W	24500 Lms	153 Lms/W
	80%	128W	19500 Lms	152 Lms/W	21000 Lms	164 Lms/W	20200 Lms	158 Lms/W
	60%	96W	15000 Lms	156 Lms/W	16000 Lms	167 Lms/W	15500 Lms	161 Lms/W
	40%	64W	10500 Lms	164 Lms/W	11500 Lms	180 Lms/W	11000 Lms	172 Lms/W

DPTMPL 200W								
Distribution	Power Level	System Watts	3000K		4000K		5000K	
			Lumens	LPW	Lumens	LPW	Lumens	LPW
Type IV	100%	200W	26000 Lms	130 Lms/W	30000 Lms	150 Lms/W	27600 Lms	138 Lms/W
	80%	160W	22200 Lms	139 Lms/W	25700 Lms	161 Lms/W	23600 Lms	148 Lms/W
	60%	120W	17900 Lms	149 Lms/W	20800 Lms	173 Lms/W	19000 Lms	158 Lms/W
	40%	80W	12800 Lms	160 Lms/W	14800 Lms	185 Lms/W	13600 Lms	170 Lms/W