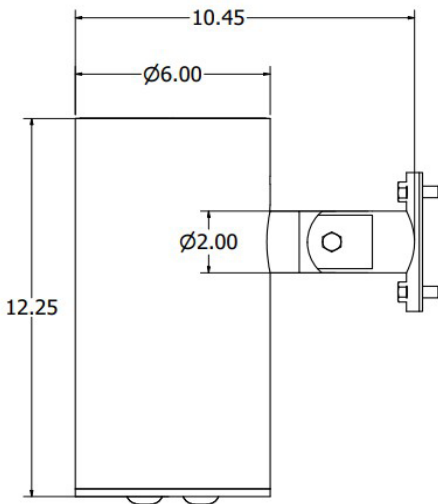


**Decorative Area & Site Luminaire  
Architectural Outdoor Lighting Solution**



**SPECIFICATIONS**

**EPA:** .62 ft<sup>2</sup>  
**Height:** 12"  
**Diameter:** 6"

**PERFORMANCE**

**Delivered Lumens:**  
500 - 5,000 lumens (depending on configuration)  
\*Higher outputs available - contact factory for details.

**Wattage:**  
4W - 32W LED System

**Efficacy:**  
Up to 195 lm/W (projected efficacy based on LED manufacturer data)

**LED Lumen Maintenance:**  
L70 ≥ 102,000 hours  
(ANSI/IES TM-21-21 projection based on LM-80 testing with 17,000-hour test data at Ts = 85°C)

**Typical Application Life:**  
Projected LED life exceeds 100,000 hours under 25°C ambient operating conditions.

**Color Characteristics:**  
CCT: 3000K / 4000K  
CRI: ≥80 standard

**Distribution Types:**  
Type III, Type IV, Type V, Narrow Throw 30°

**Thermal Management:**  
Engineered heat dissipation system designed to maintain LED operating temperature for long-term lumen maintenance and system reliability.  
\*Photometric distributions are based on LEDiL optical system performance utilizing the specified LED package. Luminaire performance values are calculated from LED manufacturer data and optical system efficiency. Final performance values will be confirmed through LM-79 testing.  
\*Performance values represent design targets for the luminaire platform.

**ELECTRICAL**

**Input Voltage:**  
120-277V

**Dimming:**  
0-10V (DIM Option)

**Driver:**  
Class 2 Programmable LED Driver  
Power Factor >0.92  
Total Harmonic Distortion (THD) <20%

**Surge Protection:**  
6kV Line-to-Neutral  
10kV Line/Neutral-to-Ground

**Driver Protections:**  
Over Current Protection (OCP)  
Open Circuit Protection  
Short Circuit Protection (Auto Recovery)  
Over Voltage Protection (OVP)

**LEDs:**  
High-efficacy LEDs mounted to metal-core circuit boards for optimized thermal management.



**CONSTRUCTION**

**Housing:**  
Extruded Aluminum Housing with nominal wall thickness of 0.125" and fully welded assembly for structural rigidity and long-term durability.  
\*All aluminum components are manufactured from corrosion-resistant alloys suitable for outdoor architectural environments.  
\*Designed and manufactured in the USA.

**Finish:**  
Corrosion-resistant Super Durable Powder Coat Finish

**Optics:**  
Field Rotatable IP67-rated precision molded optical arrays with silicone gasket sealing.

**LED Source:**  
Integrated LED Array

**INSTALLATION**

Installation by qualified electrician.  
See mounting arm options for configuration details.

**LISTINGS**

ETL Listed for Wet Locations.  
Conforms to UL 1598 and CSA standards.

**WARRANTY**

Standard 2-Year Limited Warranty  
Optional 5-Year and 7-Year Extended Warranties Available  
Rated for 40°C maximum ambient operating temperature.  
Note: Specifications subject to change without notice. Actual performance may vary depending on installation environment and operating conditions.

**ORDERING GUIDE**

MODEL	FINISH	PERFORMANCE	KELVIN	TYPE	MOUNT	OPTIONS
<b>Model</b> DNW612-ADJ	<b>Finish</b> DB - Dark Bronze BL - Black AS - Anodized Silver WH - White CC - Custom Color	<b>Performance</b> LED5 - 4W LED 5000 Lms LED25 - 15W LED 2500 Lms LED40 - 23W LED 4000 Lms LED50 - 32W LED 5000 Lms	<b>Kelvin</b> 30 - 30K 40 - 40K	<b>Type</b> III - Type III IV - Type IV V - Type V NT30 - Narrow Throw 30°	<b>Mount</b> 3RD - 3" Round Pole 4RD - 4" Round Pole 4SQ - 4" Square Pole	<b>Options</b> 5Y - 5 Year Warranty 7Y - 7 Year Warranty DIM - 0-10V Dimmable PC - Photocell MOT - Motion Sensing