

# BOLLARDS

## BOLCRN

### Decorative Bollard Luminaire Architectural Outdoor Lighting Solution



#### PERFORMANCE

**Delivered Lumens:**  
1,500 – 3,000 lumens (depending on configuration)

**Wattage:**  
12W – 24W LED System (**Wattage Selectable**)

**Efficacy:**  
Up to 131 lm/W (projected efficacy based on LED manufacturer data)

**LED Lumen Maintenance:**  
L70 ≥ 102,000 hours  
(ANSI/IES TM-21-21 projection based on LM-80 testing with 17,000-hour test data at Ts = 85°C)

**Typical Application Life:**  
Projected LED life exceeds 100,000 hours under 25°C ambient operating conditions.

**Color Characteristics:**  
CCT: 3000K / 4000K / 5000K (**CCT Selectable**)  
CRI: ≥80 standard

**Distribution Types:**  
Type III, Type V

**Thermal Management:**  
Engineered heat dissipation system designed to maintain LED operating temperature for long-term lumen maintenance and system reliability.

#### ELECTRICAL

**Input Voltage:**  
120-277V

**Dimming:**  
0-10V Dimmable

**Driver:**  
Class 2 Programmable LED Driver  
Power Factor >0.92  
Total Harmonic Distortion (THD) <20%

**LEDs:**  
High-efficacy LEDs mounted to metal-core circuit boards for optimized thermal management.

#### CONSTRUCTION

**Housing:**  
Aluminum Housing with nominal wall thickness of 0.100" for structural rigidity and long-term durability.  
\*All aluminum components are manufactured from corrosion-resistant alloys suitable for outdoor architectural environments.

**Finish:**  
Corrosion-resistant Super Durable Powder Coat Finish

**Optics:**  
Clear Polycarbonate Lens - Available with Louver, Glare Shield, or Diffuser Lens for increased vertical illumination.

**LED Source:**  
Integrated LED Array

#### INSTALLATION

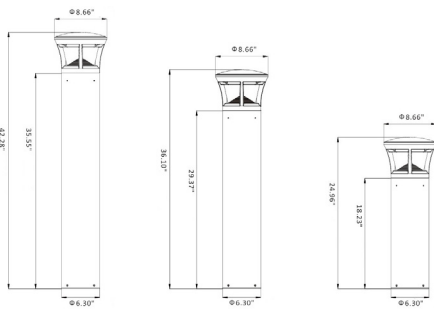
Installation by qualified electrician.

#### LISTINGS

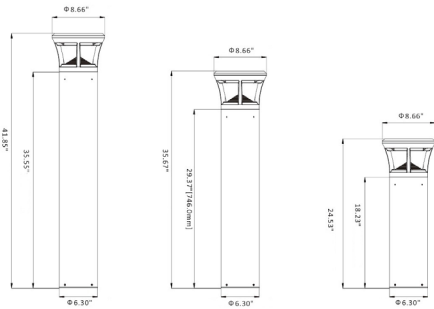
UL Listed for Wet Locations.  
Conforms to UL 1598 and CSA standards.

#### WARRANTY

Standard 2-Year Limited Warranty  
Optional 5-Year and 7-Year Extended Warranties Available  
Rated for -40°C to 50°C maximum ambient operating temperature  
Note: Specifications subject to change without notice. Actual performance may vary depending on installation environment and operating conditions.



**Crowned Top**



**Flat Top**

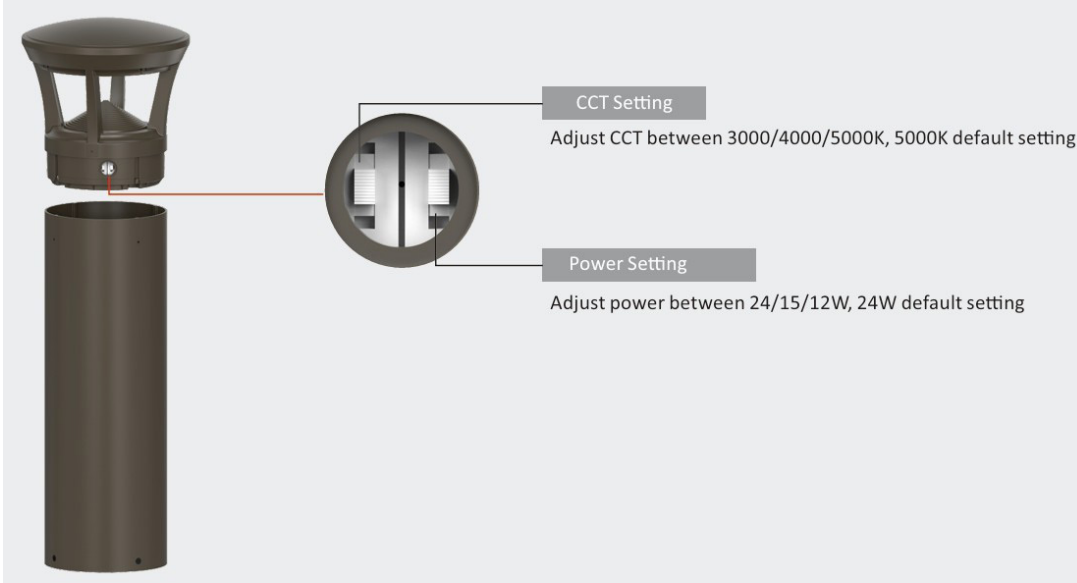
#### SPECIFICATIONS

**Height:** 24"H / 36"H / 42"H  
**Body Diameter:** 6.30"D  
**Head Diameter:** 8.66"D

#### ORDERING GUIDE

MODEL	HEAD SHAPE	FINISH	PERFORMANCE	KELVIN	HEIGHT	TYPE	LENS	OPTIONS
<b>Model</b> BOLCRN	<b>Head Shape</b> CR - Crown Top FT - Flat Top	<b>Finish</b> DB - Dark Bronze BL - Black AS - Anodized Silver WH - White CC - Custom Color	<b>Performance (Wattage Selectable)</b> LED12 - 12W LED 1550 Lms LED15 - 15W LED 1950 Lms LED24 - 24W LED 3000 Lms	<b>Kelvin</b> CCT Selectable 30K/40K/50K	<b>Height</b> 24 - 24"H 36 - 36"H 42 - 42"H	<b>Type</b> III - Type III V - Type V	<b>Lens</b> CP - Clear Polycarbonate FR - Frosted Diffuser Lens	<b>Options</b> 5Y - 5 Year Warranty 7Y - 7 Year Warranty PC - Photocell EM - Emergency Battery Backup

**BOLLARDS**  
**BOLCRN**



**CCT Selectable Diagram**



**Head Options**



**Frosted Diffuser Lens Option**



**Louver Option**



**Photocell Diagram**



**Anti-Glare Shield Option**