

LINEAR

215



DIMENSIONS:
2'H x 1.5"W x 1.5"E

Project:	
Location(s):	
Type:	
Qty:	
Date:	

PRODUCT SPECIFICATIONS

Description:

Two Foot Linear Fixture

Materials:

Aluminum

Finish:

Powder Coated

Lens:

Frosted Polycarbonate

LED:

Integrated LED Array

Listing:

Dry List to Meet UL 1598 Standard

Driver Info:

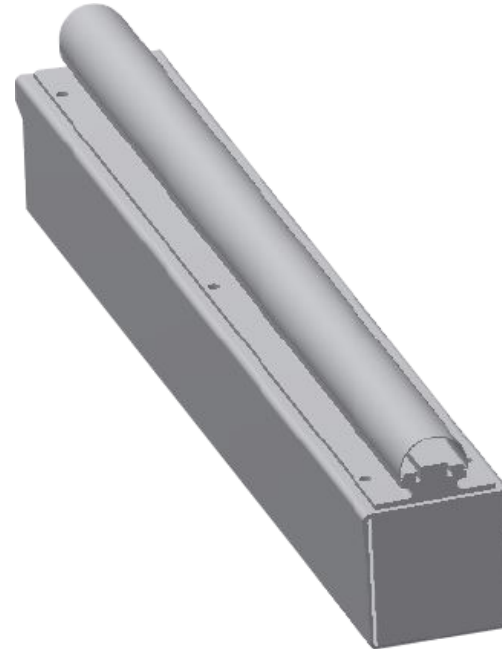
120V

Installation Information:

Install by Qualified Electrician

Warranty:

2 Years From Date of Shipment



ORDER INFORMATION
Call Factory For Fluorescent Options

MODEL	FINISH	WATTAGE	KELVIN	OPTIONS
Model 215	Finish WH- White CC - Custom Color	Wattage LED10 - 10W LED 1200 Lms LED21 - 21W LED 2100 Lms	Kelvin 30 - 30K 35 - 35K 40 - 40K 50 - 50K	Options DV - 120/277 Dual Volt DIM0-10V - 0-10V Dimmable



Divine Lighting & Mfg., LLC.
3704 Hilltop Dr. Ste. 200

<http://www.divinelighting.net>
customerservice@divinelighting.net

PH: 936-494-3900
FX: 936-494-3910

As led performance and lumen output becomes more efficient, specifications are subject to change without notice